



Ships Particulars

(Details are believed to be correct, but are not guaranteed.)

Dimensions and main data:

- Length o.a.:	107,42 m
- Length p.p.:	99,13 m
- Beam:	19,00 m
- Depth moulded:	10,60 m
- Draft, summer:	8,275 m
- Deadweight, DWAT:	7.380 mt
- GT:	5.799
- NT:	3.152
- Airdraft:	abt 35 m

Holds:

- Hold (tweendeck inside):	9.660 m ³
- Wide of hold&hatch:	15,30 m
- Depth of hold:	10,75 m
- Length of hatch:	64,44 m
- Movable tweendeck:	64,44 x 15,30 m (3 height pos.)
- Max. load of tanktop:	12 mt/m ²
- Max. load of tweendeck:	3 mt/m ² pontoon 6,7,8 4 mt/m ²
- Max. load of hatch cover:	2,50 mt/m ²

Capacity:

- Ballast capacity:	2955 m ³
- Bunker capacity:	IFO 595,24 mt
- Bunker capacity:	GO 98,49 mt
- Container capacity:	
- Hold:	222 TEU
- Hatches:	235 TEU
- Reefer plugs:	30 pc.

Machinery:

- Main engine:	1 MAN B&W 7 L40/54
- Power:	4750 kW at 514 rpm
- Connected to:	1 variable pitch propeller
- Speed/consumption loaded:	abt 15 knots / abt 18 mt/day HFO
- Auxiliaries:	Volvo
- Power:	350 kW at 1.500 rpm
- Connected to:	Piller generator
- Power:	350 KVA / 380 V 50 Hz.
- Shaft generator:	1 of 500 KVA
- Bow thruster:	1 of 400 kW
- Stability Pontoon	

Deck:

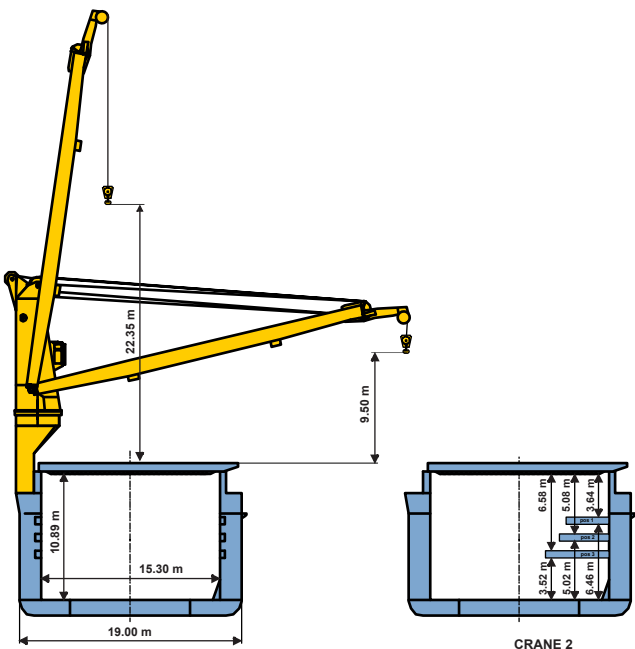
- Cranes:	2 cranes of 250 mt each, combinable up to 500 tons
- Hatches:	Hydraulic folding pontoons
- Winches:	4 electric hydraulic winches
- Hold:	25 airchanges b.e.h.

General:

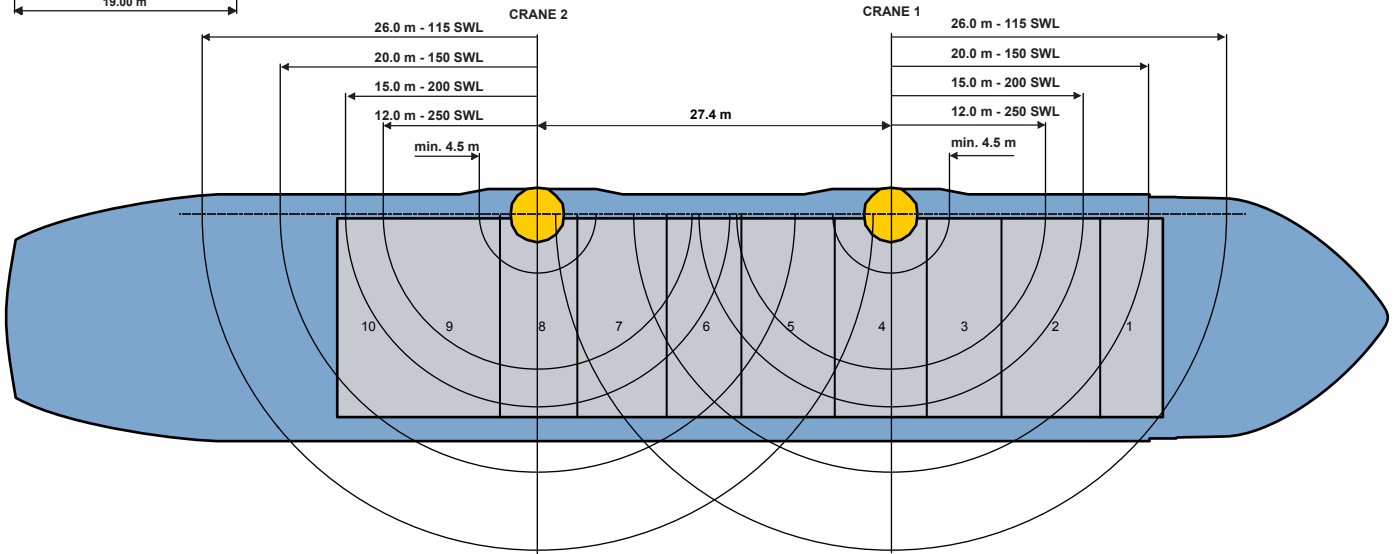
- Shipyard:	J.J. Sietas K.G. Schiffswerft GmbH&Co.
- Place:	Hamburg, Germany
- Notation:	100 A4 E + MC E AUT
	Strength for heavy cargoes, dangerous goods fitted
	Suez, Panama & St. Lawrence
	Fitted

M/V ATLANT TRINA M/V ATLANT FRAUKE

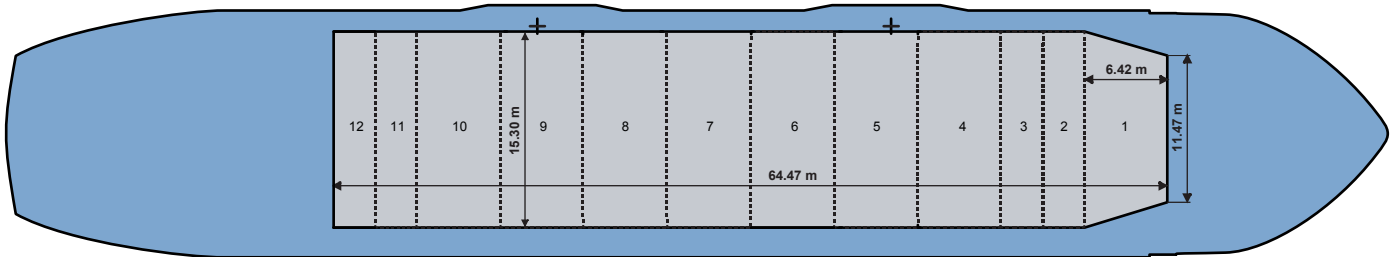
500 T COMBINED LIFTING CAPACITY



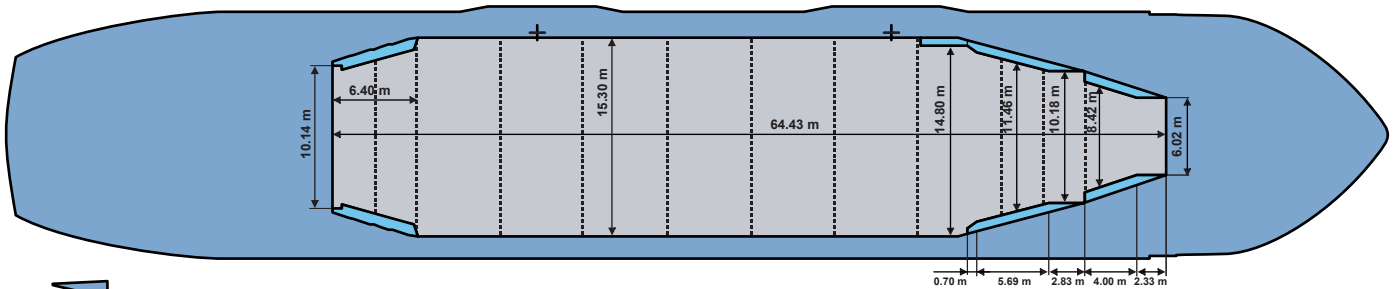
DECK



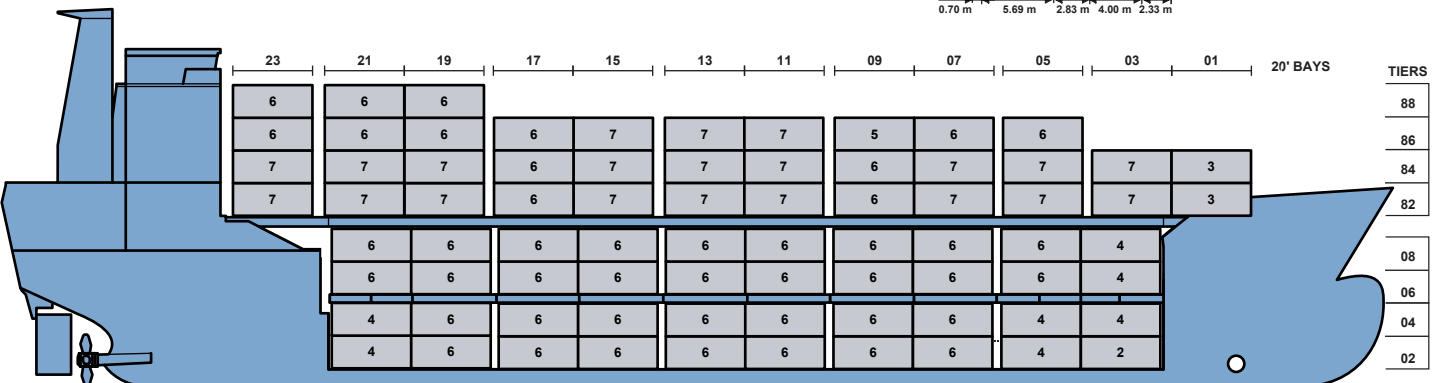
TWEEN DECK



LOWER HOLD



457 TEUS



++++ Details believed to be correct, but are given without guarantee +++++